

Product Specifications Sheet 产品规格表

Model Description 型号规格: 603465/1100mAh/3.70V

| No. | Item | Specification | Note |
|-----|--|------------------------|--|
| 1 | Limited Charge Voltage 充电限制电压 | 4.20V | |
| 2 | Charge Voltage Upper Limit 充电上限电压 | 4.25V | |
| 3 | Nominal Voltage 标称电压 | 3.70V | |
| 4 | Minimum Capacity (Rated capacity) 最小容量 | 1100mAh | Capacity measurement: Charge: Charge with 0.2C _{5Amin} constant current to 4.20V, then 4.20V constant voltage charge until charge current is reduced to cut off limit 0.02 C _{5Amin} . Discharge: 0.2 C _{5Amin} discharge to 3.00V. 容量测试方法: 充电: 用 0.2 C _{5Amin} 恒流充电至 4.20V, 保持 4.20V 恒压充电直到充电电流达到截止电流 0.02 C _{5Amin} 。 放电: 0.2 C _{5Amin} 恒流放电至 3.00V。 ※ Temperature: 25°C ± 2°C. ※ 环境温度: 25°C±2°C。 |
| 5 | Standard Charge Current 标准充电电流 | 0.2 C _{5Amin} | |
| 6 | Max Charge Current 最大充电电流 | 2.0 C _{5Amin} | |
| 7 | Standard Discharge Current 标准放电电流 | 0.2 C _{5Amin} | |
| 8 | Max Discharge Current 最大放电电流 | 40 C _{5Amin} | |
| 9 | Discharge Cut-off Voltage 放电截止电压 | 3.00V | |
| 10 | AC IR 交流内阻 | ≤4 mΩ | |
| 11 | 25±2°C Cycle Life 常温循环寿命 | ≥300 Times | The capacity retention ≥ 80% |
| 12 | Operation Temperature 工作温度 | -20°C~ +60°C | Discharge temperature range 放电温度范围 |
| | | 0°C~ +45°C | Charging temperature range 充电温度范围 |

Above parameters are for reference only, AUCOPO may adjust the parameters in line with different application and project, please contact our sales for final specification.

以上所示参数仅供参考, 万宝公司可能根据应用和项目的具体要求调整以上参数, 请联系我们的销售人员确认最终的电芯参数规格。

地址: 福建省漳州市南靖县靖城镇 319 线 198 号 邮编:363601

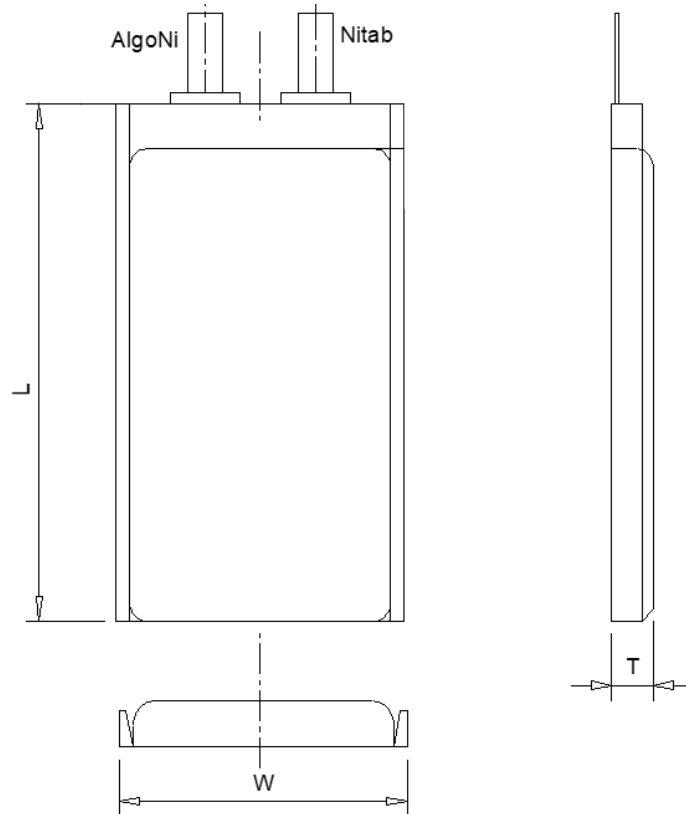
Add: No.198, Highway 319, Jingcheng, Nanjing, Zhangzhou, Fujian Province, PR. China. Zip code:363601

电话(Tel):0596-7666111 传真(Fax):0596-7666222 网址(Website): www.aucopo.com

| | | | |
|----|--|--|--|
| 13 | Allowable Temperature and Humidity Range 允许温度和湿度范围 | Over 3 month : -20~27°C Less than 3 month:-20~35°C Less than 1 month: -20~45°C | Relative Humidity: ≤75%. Recommended storage at 30%~50%SOC. 相对湿度: ≤75%。 建议电芯在 30%~50%电量下储存。 |
| 14 | Weight 重量 | About 29.00 g | |

Cell Dimensional Drawing 电芯尺寸图

Not in scale (未按比例)



| 项目 Items | 描述 Description | 尺寸和规格 Dimension and Spec |
|----------|----------------|---|
| T | Thickness 厚 | 6.00mm Max (Fresh) 6.48mm (After cycle swelling) |
| W | Width 宽 | 34.00mm Max |
| L | Length 长 | 65.00mm Max |

Above parameters are for reference only, AUCOPO may adjust the parameters in line with different application and project, please contact our sales for final specification.

以上所示参数仅供参考，万宝公司可能根据应用和项目的具体要求调整以上参数，请联系我们的销售人员确认最终的电芯参数规格。

地址: 福建省漳州市南靖县靖城镇 319 线 198 号 邮编:363601

Add: No.198, Highway 319, Jingcheng, Nanjing, Zhangzhou, Fujian Province, PR. China. Zip code:363601

电话(Tel):0596-7666111 传真(Fax):0596-7666222 网址(Website): www.aucopo.com